

Part number



MAO 16 X40



Brief description:

hoods with two levers, size "77.27", side entry, M40, metal version, IP66

Product description	
Version	metal version
Series	Hoods for 2 levers, without gasket
Product type	with 2 levers, without gasket
Variant	side entry
Style	high construction
Family	CLASS enclosures
Size	size "77.27"
Technical data	
Material	metal
IP degree of protection	IP66 (and IP69K DIN 40050 - 9)
Cable entry	M40
Further technical details	
Weight	315,00 g

Approvals / Standards	
Quality mark	 (type:4/4X/12),  , EAC
Conformity	CQC, CE
General ordering information	
EAN13 code	8015747050517
Tariff number	85369095
Packaging Information	
Packaging length	290,00 mm
Packaging height	130,00 mm
Packaging width	210,00 mm
Packaging weight	3,40 kg
Packaging volume	7,92 dm ³
Packaging description	Carton box
Packaging quantity	10 Pcs
Packaging EAN code	8015747215084
Sub-packaging weight	1,70 kg
Sub-packaging description	Plastic pakaging
Sub-packaging quantity	5 Pcs
Sub-packaging EAN barcode	8015747050524

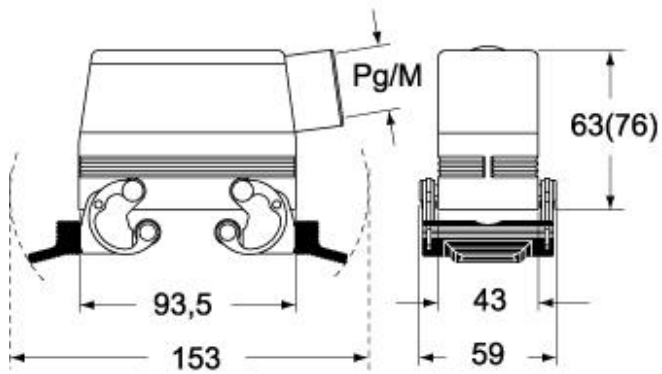
Part number

MAO 16 X40



Catalogue drawings

CHO X (CAO X) - MHO X (MAO X)



CHV X (CAV X) - MHV X (MAV X)

